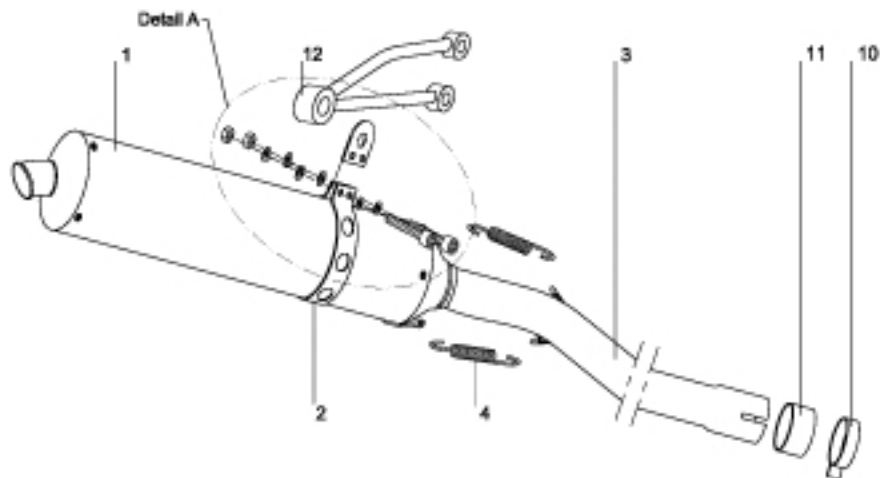
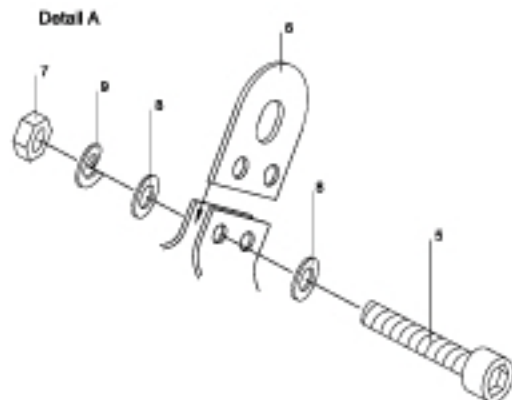


## Exhaust System 3272 SUZUKI GSXR 1000 K5 SLO - HU



- |         |                                 |
|---------|---------------------------------|
| Pos. 1  | Schalldämpfer                   |
| Pos. 2  | Befestigungsschelle             |
| Pos. 3  | Mittelrohr 3272 high-up         |
| Pos. 4  | Snap-on Feder                   |
| Pos. 5  | 2x Innensechskantschraube M6x20 |
| Pos. 6  | Halter 3272                     |
| Pos. 7  | 2x Mutter M6                    |
| Pos. 8  | 4x Unterlegscheibe M6           |
| Pos. 9  | 2x Sicherungsscheibe M6         |
| Pos. 10 | Mittelrohrschelle               |
| Pos. 11 | Original-Dichtung               |
| Pos. 12 | Halter 3272 high-up             |
| Pos. 13 | Hakenwerkzeug                   |

Hinweis: Bei Steckverbindungen: Silikon verwenden  
Original-Dichtung verwenden



- |         |                               |
|---------|-------------------------------|
| Pos. 1  | muffler                       |
| Pos. 2  | clamp                         |
| Pos. 3  | link pipe 3272 high up        |
| Pos. 4  | snap-on spring                |
| Pos. 5  | 2x hexagon socket screw M6x20 |
| Pos. 6  | bracket 3272                  |
| Pos. 7  | 2x screw nut M6               |
| Pos. 8  | 4x washer M6                  |
| Pos. 9  | 2x lock washer M6             |
| Pos. 10 | clamp for link pipe           |
| Pos. 11 | original gasket               |
| Pos. 12 | bracket 3272 high-up          |
| Pos. 13 | catch tool                    |

Instruktion: use silicone in plug connection  
use original gasket